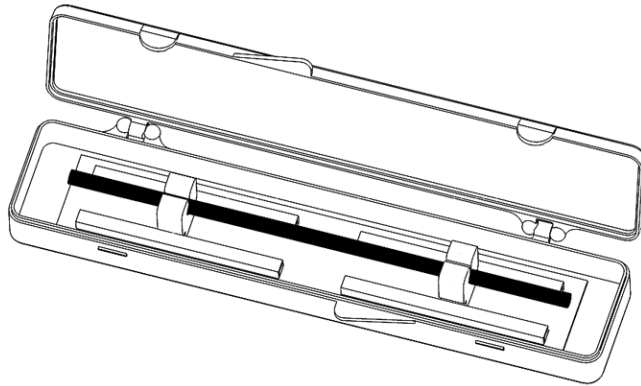
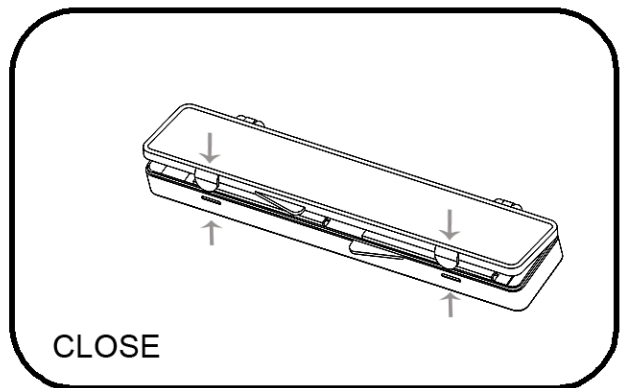
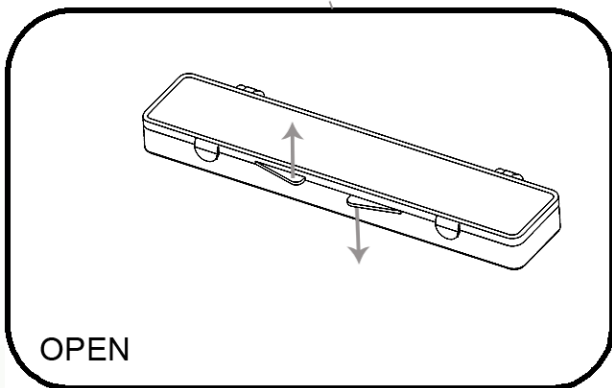


PACKING FOR DELICATE ROD

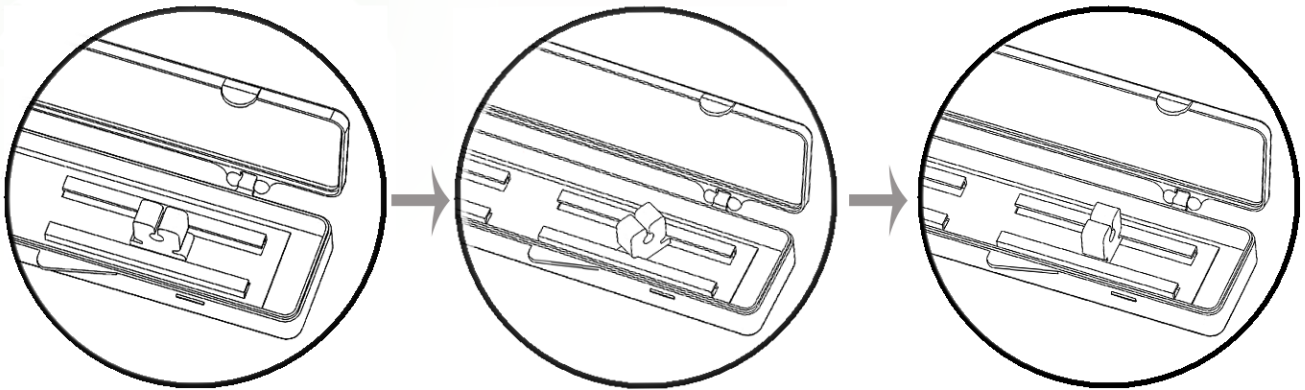
SAFE
CLEAN
FLEXIBLE



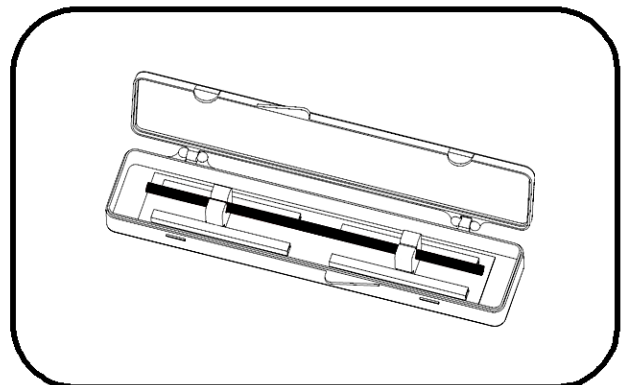
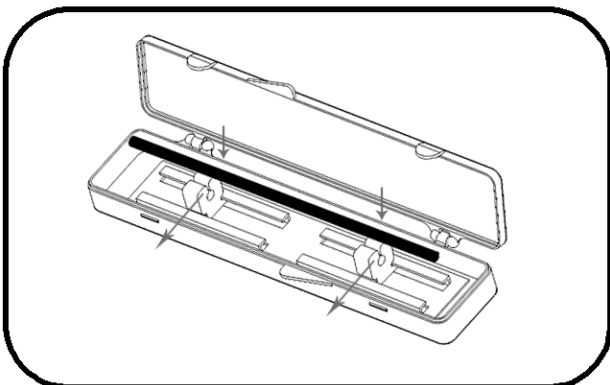
SP6-19038 OPERATION INSTRUCTION



OPEN/CLOSE WAY



INSTALLATION OF SILICON BRACKET



PLACEMENT OF DELICATE ROD