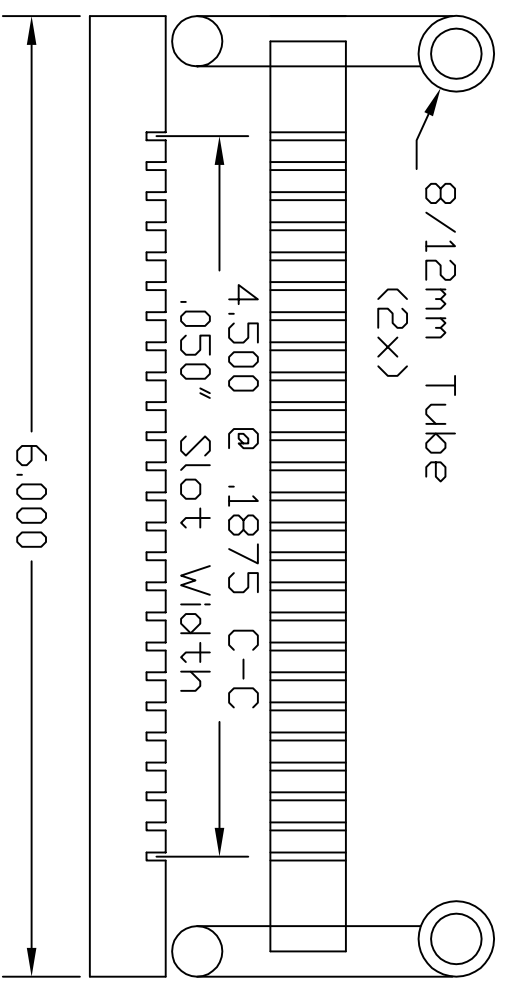
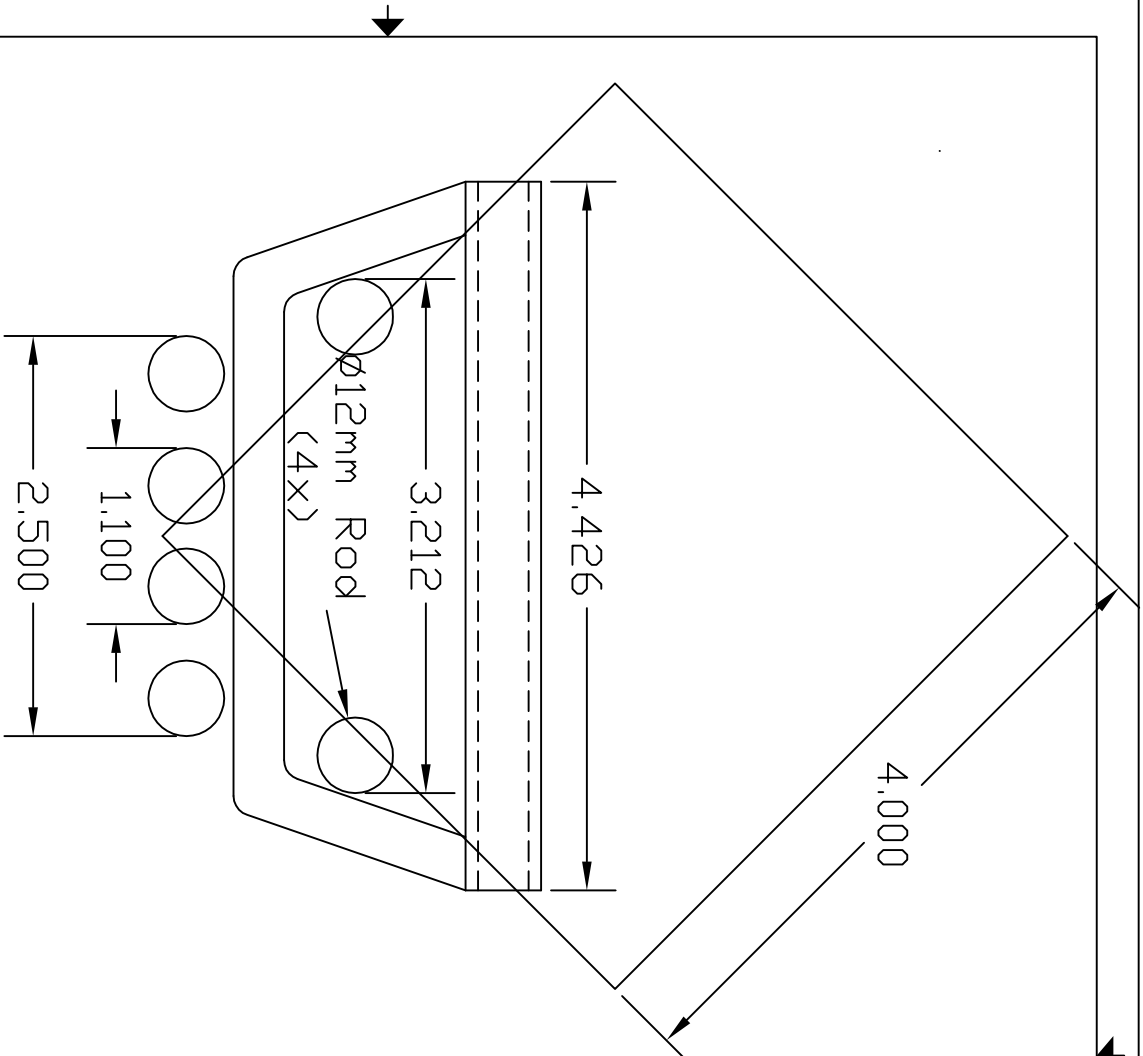


REVISIONS				
ZONE	REV	DESCRIPTION	DATE	APPROVED



www.amquartz.com

All dimensions in inches unless otherwise noted.

Drawn By	I. Gonzalez	SIZE	DWG NO.	4" 25 Slot Boat
Material	Semiconductor Grade Quartz	Scale	Date	
A.M. Quartz Corporation 2400 Alabama Dr. Gainesville, TX 78940 Tel:(940)912-1011 Fax:(940)912-1014		REV		