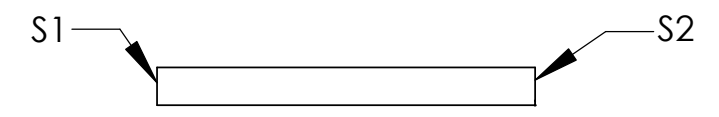
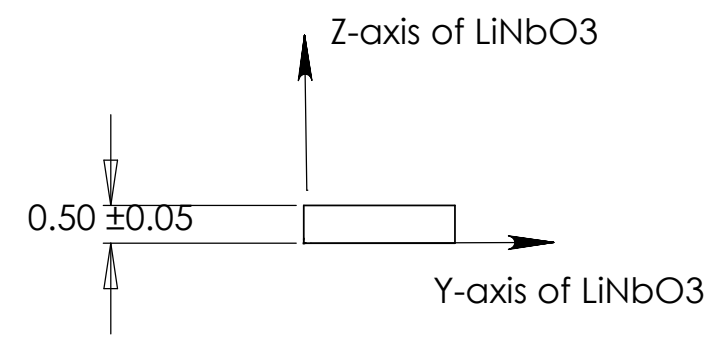
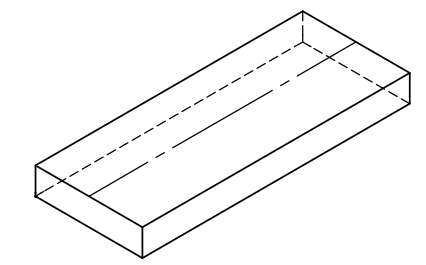
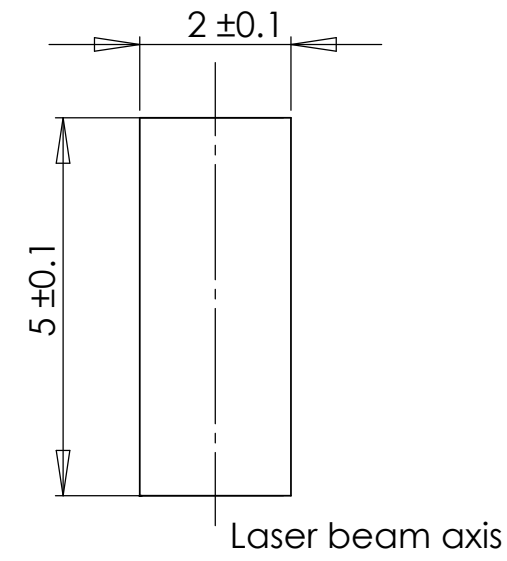


1. Unless otherwise specified, all linear dimensions are in millimeters
2. Material: Periodically poled 5% MgO-doped lithium niobate (PPMgOLN),
3. Surface quality: S1 & S2: 1/10 wave at 633nm, 20/10 S/D over clear aperture
4. Clear aperture: S1 & S2 - 90% of the outer dimensions
5. Wedge: <20 arcsec S1 to S2 (parallelism)
6. Nonlinear conversion:  $d_{eff} > 12 \text{ pm/V}$  for 976 to 488 nm SHG @  $35 \pm 5^\circ \text{C}$



Revision			
Rev	Description	Date	Approved
1	Initial Release	10/27/07	AVS

ITEM NO.	QTY REQD	PART OR IDENTIFYING NO.	NOMENCLATURE OR DESCRIPTION
PARTS LIST			
UNLESS OTHERWISE SPECIFIED DIMENSIONS ARE IN MM		Spectralus Corp, 2953 Bunker Hill Ln, St.400 Santa Clara, CA 95054 USA	
TOLERANCES ARE:		PPMgOLN for 976->488nm conversion, 0.5 H x 2 W x 5 L	
SURFACE	DECIMALS	ANGLES	
FINE GRIND	.X ± .1	±30'	
	.XX ± .05		
MATERIAL	See Notes		
FINISH	See Notes		
DRAWN BY	DATE	SIZE	DWG. NO.
A.V.Shchegrov	10/27/07	1:0.1	PN00005 - PPMgOLN 0.5x2x5 for 488nm
SCALE		CAD FILE:	REV. 1
1:0.1			1 OF 1

THE INFORMATION CONTAINED IN THIS DRAWING IS THE SOLE PROPERTY OF SPECTRALUS CORPORATION. ANY REPRODUCTION IN PART OR WHOLE WITHOUT THE PERMISSION OF SPECTRALUS CORPORATION IS PROHIBITED.